

ATT

THERMOSTAT



ISO 9001
ISO 14001

ADVANCE THERMO TECHNOLOGY CO., LTD.

Wellgrow Industrial Estate 78/4 Moo 2, Bangna-Trad Road K.M.36,
Tambol Pimpa, Amphur Bangpakong , Chachoengsao 24180, Thailand.

Tel. 66 38 522422-5 Fax. 66 38 522 401, 66 38 571 132

CONTENT

S101, S101-2



USE FOR OVEN , MICROWAVE OVEN , ELECTRIC JAR POT , RAPID WATER - HEATERS ,
HEATER , REFRIGERATOR COFFEE MAKERS , COPYING MACHINES , VACUUM CLEANER,
WASHING MACHINE AND WATER PUMP.

USE FOR OVEN , MICROWAVE OVEN , ELECTRIC JAR POT , RAPID WATER - HEATERS ,
HEATER , COFFEE MAKERS , COPYING MACHINES , VACUUM CLEANER, WASHING MACHINE
AND WATER PUMP.

S102



S103



USE FOR RICE COOKER.

USE FOR MICROWAVE OVEN , ELECTRIC JAR POT , RAPID WATER - HEATERS , HEATERS ,
COFFEE MARKERS AND COPYING MACHINES.

S104



S105



USE FOR COFFEE MAKERS , COPYING MACHINES , HEATERS AND IRON ETC.

USE FOR MOTOR , INDUSTRIAL MOTOR , BALLAST , TRANSFORMER AND COIL ASSEMBLY.

S107



CONTENT

S101, S101-2	1
S102	2
S103	3
S104	4
S105	5
S107	6
INDEX	7-12



THERMOSTAT

COMPANY PROFILE

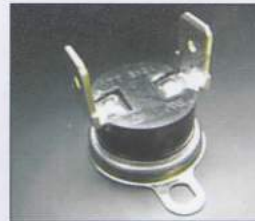
Company Name	Advance Thermo Technology Co., Ltd.
Address	78/4 Moo 2 Bangna-Trad Road Km.36 , Tambol Pimpa , Amphur Bang Pakong , Chachoengsao 24180 Thailand Tel. +66 38522422-5 , +66 38571132-6 Fax +66 38522401
Established	July 1998
BOI Promotion	March 1999
Registered Capital	132 Million Baht
Plant Area	Land = 11,200 m ² Building = 2,460 m ²
Production	Bimetal & Magnet Thermostat S101, S102, S103, S104, S105, S101Defrost , Thermal Protector S107
Acquisition Standard	For Product : UL, CUL, UL873, CSA C22.32, VDE, JET, TUV For System : ISO 9001, ISO 14001
All Member	320 Persons
Working (Day / Time)	Monday- Fridays (5 days per week) 8:00 - 17:00 Saturday (every other week) 8:00 - 17:00



S101CR1CH01



S101-2CTIC100



S101CT2C1H1



S101CQ1C100-DF0-L42

SPECIFICATION

BIMETAL THERMOSTAT AUTOMATIC RESET AND SINGLE OPERATION (SOD), (STANDARD APPROVAL : CUL , JET, TUV)

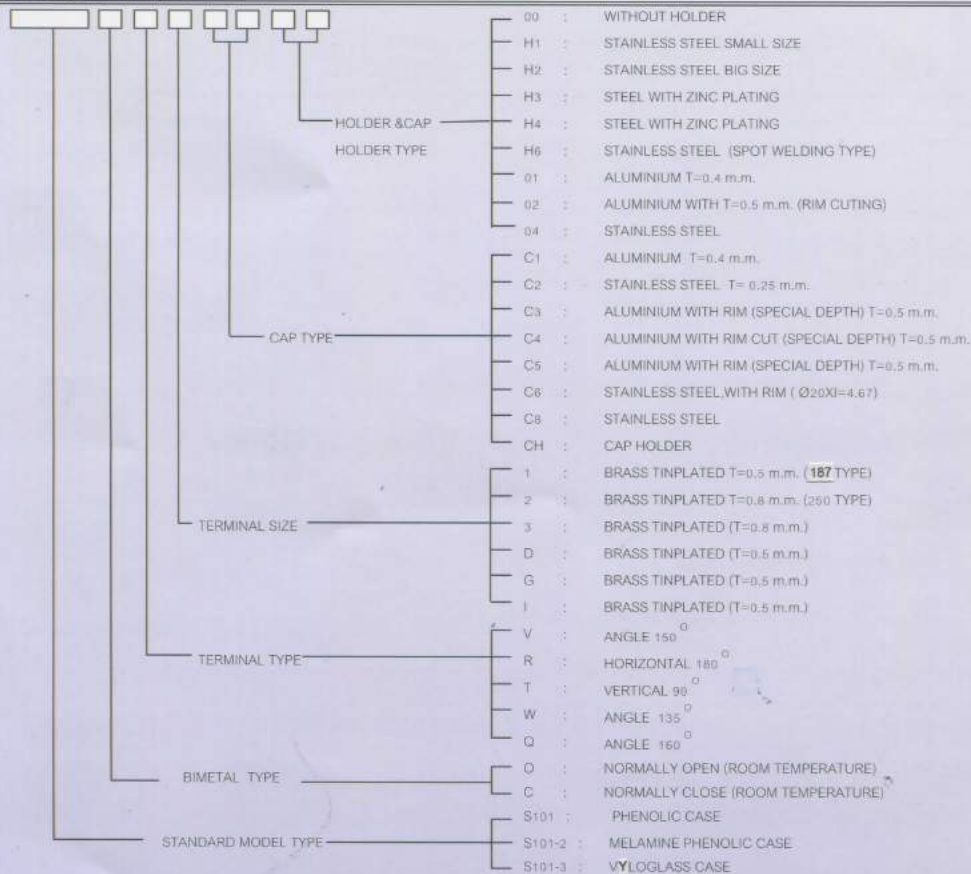
APPLICATION	AVAILABLE FOR OVEN , MICROWAVE OVEN , ELECTRIC JAR POT , RAPID WATER-HEATERS , HEATER , REFRIGERATOR , COFFEE MAKERS , COPYING MACHINES , VACUUM CLEANER , WASHING MACHINE AND WATER PUMP
ELECTRICAL RATING (RESISTIVE LOAD)	125 VAC / 15A , 250 VAC / 10A
OPERATING TEMP RANGE	-5 TO 150 °C (UP TO CUSTOMER REQUIREMENT)
DIFFERENTIAL , BETWEEN OPERATION AND RETURN TEMP	6 °C OR MORE (AUTOMATIC RESET) RETURN TEMP LESS THAN -35 °C (SINGLE OPERATION)
TEMP TOLERANCE	OPERATING TEMP. ±4 °C / RETURN TEMP. ±7 °C (STANDARD)
CIRCUIT RESISTANCE (INITIAL VALUE)	50 mΩ OR LESS
INSULATION RESISTANCE	100 MΩ OR MORE (WITH 500 VDC MEGGER)
DIELECTRIC STRENGTH	1500 VAC / MINUTE OR 1800 VAC / SEC.
HEAT DURABILITY	150 °C
SWITCHING DURABILITY	100,000 CYCLES OR MORE (AT RATED LOAD)
TRACKING RESISTANCE	S101 PHENOLIC CASE SHALL BE FOLLOWED PTI VALUE MORE THAN 175V S101-2 MELAMINE PHENOLIC CASE SHALL BE FOLLOWED PTI VALUE MORE THAN 250V

* LOW TOLERANCE LESS THAN STANDARD TYPE IS ALSO AVAILABLE.

* ELECTRICAL RATING BY VOLTAGE DC IS ALSO AVAILABLE

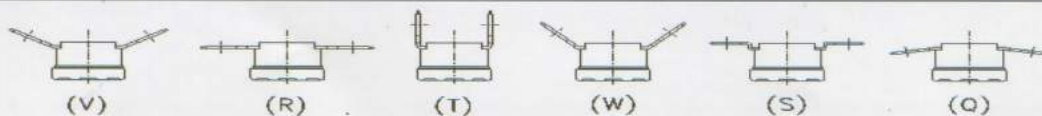
* ALL PRODUCT WAS COMPLIED BY RoHS

MODEL CODE



* PLEASE SEE MORE DETAILS AT INDEX PAGE

TERMINAL TYPE





S102CT2C1H1-RV1



S102CT3C100-RV1



S102-3CT2C1H1-RV1



S102CT2CH07-RV1

SPECIFICATION

BIMETAL THERMOSTAT **MANUAL RESET** DOUBLE DISC ACTION AND SINGLE OPERATION (STANDARD APPROVAL : CUL , JET , TUV)

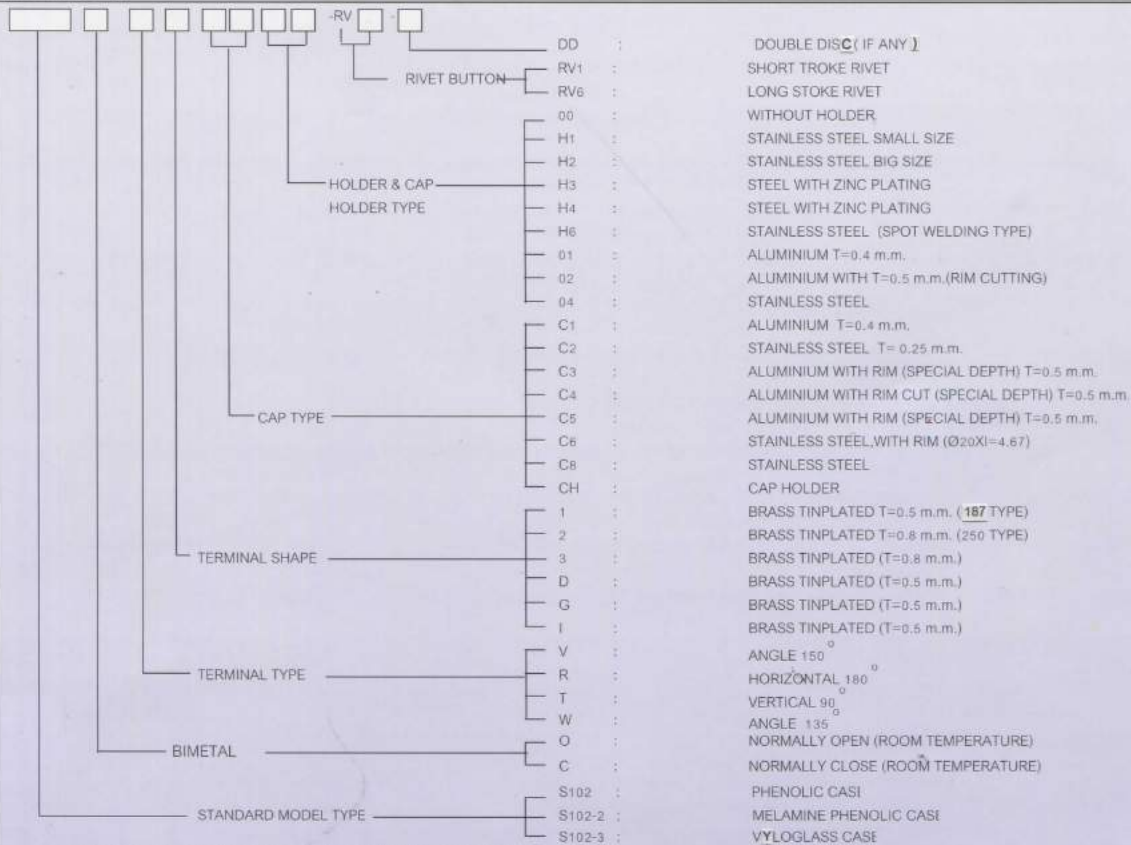
APPLICATION	AVAILABLE FOR OVEN , MICROWAVE OVEN, ELECTRIC JAR POT, RAPID WATER-HEATERS , HEATER , COFFEE MAKERS . COPYING MACHINES , VACUUM CLEANER , WASHING MACHINE AND WATER PUMP
ELECTRICAL RATING (RESISTIVE LOAD)	125 VAC / 15A , 250 VAC / 10A , 250 VAC / 16A
OPERATING TEMP RANGE	10 TO 150 °C
TEMP TOLERANCE	OPERATING TEMP. ±5 °C (RETURN TEMP. ±7 °C FOR DOUBLE DISK ACTION)
CIRCUIT RESISTANCE (INITIAL VALUE)	50 mΩ OR LESS.
INSULATION RESISTANCE	100 MΩ OR MORE (WITH 500 VDC MEGGER)
DIELECTRIC STRENGTH	1500 VAC / MINUTE OR 1800 VAC / SEC.
HEAT DURABILITY	150 °C (PHENOLIC) 185 °C (POLYESTER)
SWITCHING DURABILITY	6,000 CYCLES , 100,000 CYCLES (10A) , 50,000 CYCLES (16A)
TRACKING RESISTANCE	UNSATURATED POLYESTERS RESIN USED FOR CASE AND RODGUIDE, SHALL BE FOLLOWED PTI VALUE MORE THAN 600 V. PHENOLIC USE FOR CASE AND ROD-GUIDE SHALL BE FOLLOWED PTI VALUE MORE THAN 175V

* LOW DIFFERENTIAL LESS THAN STANDARD TYPE IS ALSO AVAILABLE.

* ELECTRICAL RATING BY VOLTAGE DC IS ALSO AVAILABLE

* ALL PRODUCT WAS COMPLIED BY RoHS

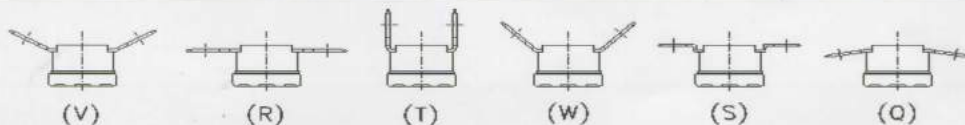
MODEL CODE



* ALTERNATING CONSTRUCTION IS ALSO AVAILABLE (PLEASE CONTACT US)

* PLEASE SEE MORE DETAILS AT INDEX PAGE

TERMINAL TYPE





S103B1H0R1C2-F120



S103B2H0R1C2-F120



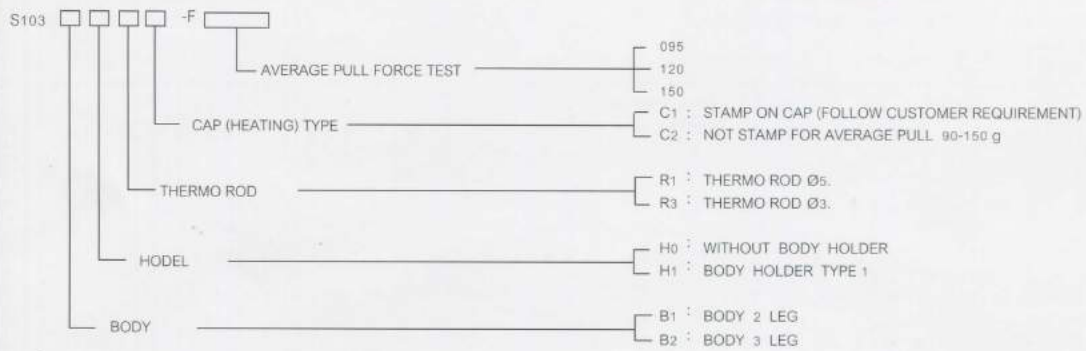
S103B2H1R1C2-F120

SPECIFICATION

APPLICATION	AVAILABLE FOR RICE COOKER
OPERATING TEMP RANGE	100 TO 180 °C
DIFFERENTIAL , BETWEEN OPERATION AND RETURN TEMP	10 °C OR MORE
TEMP TOLERANCE	OPERATING TEMP. +4 °C / RETURN TEMPERATURE +10 °C
PULLING FORCE	100 TO 150 G.
VIBRATION RESISTANCE	WHEN THERMOSTAT IS DROPED FREELY FROM A HIGHT OF 10 m.m. IT SHALL NOT TURN OFF.

* ALL PRODUCT WAS COMPLIED BY RoHS

MODEL CODE





S104CR4C100



S104CV5C1H1



S104CT5C1H1



S104CT5CH07

SPECIFICATION

BIMETAL THERMOSTAT AUTOMATIC RESET(STANDARD APPROVAL : JET , TUV)

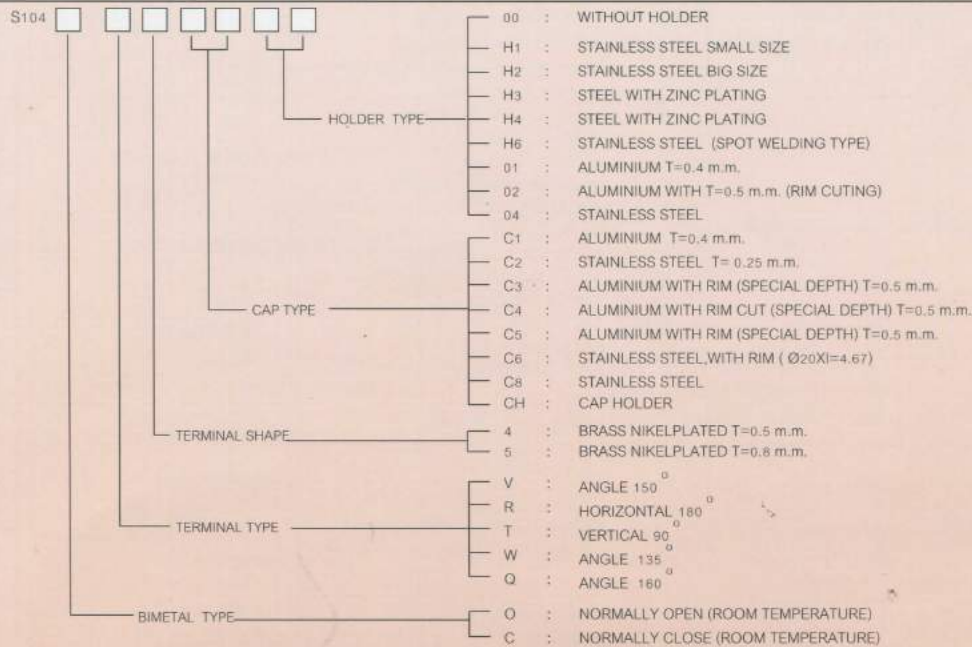
APPLICATION	AVAILABLE FOR MICROWAVE OVEN, ELECTRIC JAR POT, RAPID WATER-HEATERS , HEATERS , COFFEE MAKERS ,AND COPYING MACHINES
ELECTRICAL RATING (RESISTIVE LOAD)	125 VAC / 15A , 250 VAC / 10A , 250 VAC / 16A
OPERATING TEMP RANGE.	- 5 TO 185 °C (UP TO CUSTOMER REQUIREMENT)
DIFFERENTIAL , BETWEEN OPERATION AND RETURN TEMP	8 °C OR MORE (AUTOMATIC RESET) RETURN TEMP LESS THAN -35 °C (SINGLE OPERATION)
TEMP TOLERANCE	OPERATING TEMP. ±4 °C / RECOVER TEMP. ±7 °C
CIRCUIT RESISTANCE (INITIAL VALUE)	50 mΩ OR LESS.
INSULATION RESISTANCE.	100 MΩ OR MORE (WITH 500 VDC MEGGER)
DIELECTRIC STRENGTH.	1500 VAC / MINUTE OR 1800 VAC / SEC.
HEAT DURABILITY	185 °C
SWITCHING DURABILITY	100,000 TIMES (10A.) 30,000 TIMES (16A.)
TRACKING RESISTANCE	UNSATURATED POLYESTERS RESIN VYLOGLOSS VG-7100 USED FOR CASE AND RODGUIDE, SHALL BE FOLLOWED PTI VALUE MORE THAN 600 V.

* LOW TOLERANCE LESS THAN STANDARD TYPE IS ALSO AVAILABLE.

* ELECTRICAL RATING BY VOLTAGE DC IS ALSO AVAILABLE

* ALL PRODUCT WAS COMPLIED BY RoHS

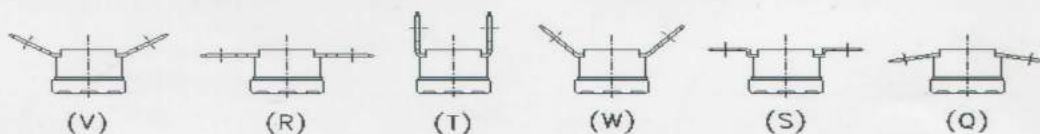
MODEL CODE

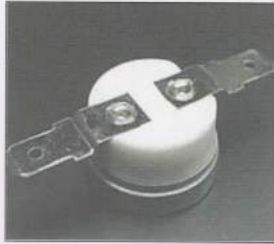


* ALTERNATING CONSTRUCTION IS ALSO AVAILABLE (PLEASE CONTACT US)

* PLEASE SEE MORE DETAILS AT INDEX PAGE

TERMINAL TYPE





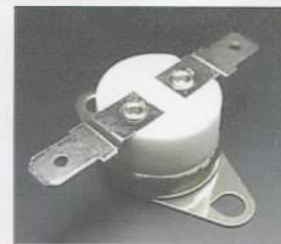
S105-2HCS4C100



S105-2HW2C1H1



S105-2HR2C2H2



S105-2HCS4C8H6

SPECIFICATION

BIMETAL THERMOSTAT AUTOMATIC RESET (STANDARD APPROVAL : CUL , TUV)

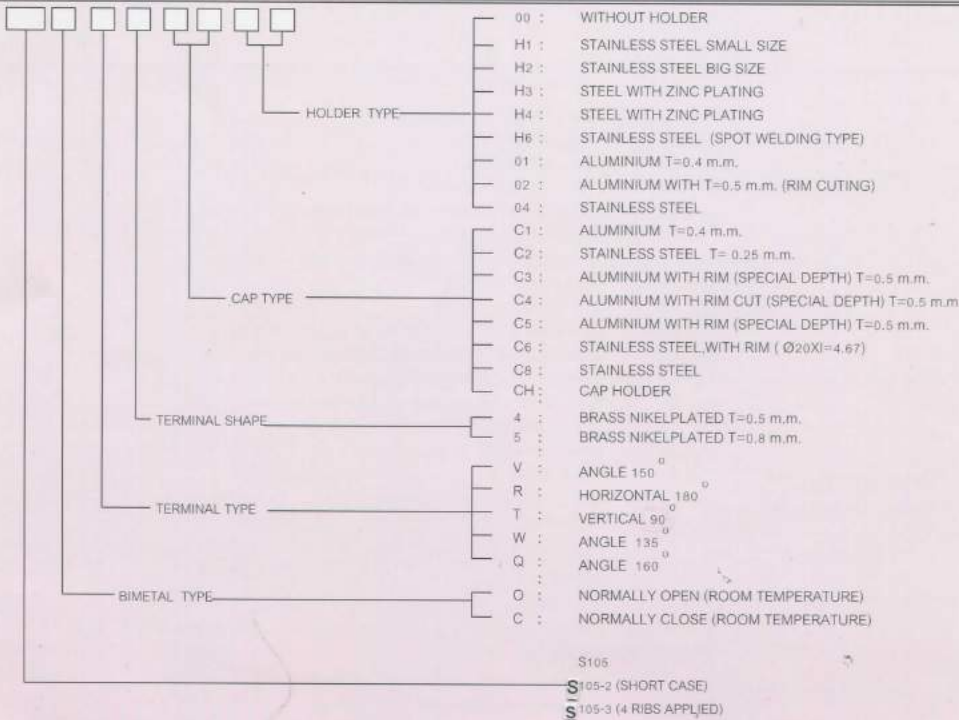
APPLICATION	AVAILABLE FOR COFFEE MAKERS , COPYING MACHINES, HEATERS AND IRON ETC.
ELECTRICAL RATING (RESISTIVE LOAD)	125 VAC / 15A , 250 VAC / 10A , 250 VAC / 16A
OPERATING TEMP RANGE.	40 TO 200 °C (SPECIAL UP TO 270 °C MAX.)
DIFFERENTIAL , BETWEEN OPERATION AND RETURN TEMP	15 TO 25 °C (RETURN TEMPERATURE -35 °C SINGLE OPERATING)
TEMP TOLERANCE	OPERATING TEMP. ±4 °C / RECOVER TEMP. ±7 °C
CIRCUIT RESISTANCE (INITIAL VALUE)	50 mΩ OR LESS.
INSULATION RESISTANCE.	100 MΩ OR MORE (WITH 500 VDC MEGGER)
DIELECTRIC STRENGTH.	1500 VAC / MINUTE OR 1800 VAC / SEC.
HEAT DURABILITY	250 °C OR MORE
SWITCHING DURABILITY	100,000 TIMES (10A) , 30,000 TIMES (16A)

* LOW TOLERANCE LESS THAN STANDARD TYPE IS ALSO AVAILABLE.

* ELECTRICAL RATING BY VOLTAGE DC IS ALSO AVAILABLE

* ALL PRODUCT WAS COMPLIED BY RoHS

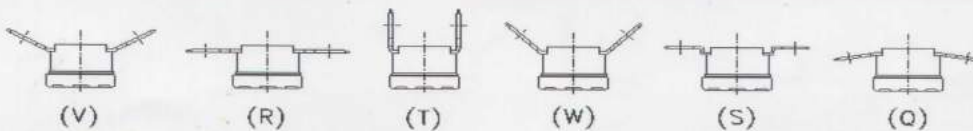
MODEL CODE



* ALTERNATING CONSTRUCTION IS ALSO AVAILABLE (PLEASE CONTACT US)

* PLEASE SEE MORE DETAILS AT INDEX PAGE

TERMINAL TYPE





S107A14F5-T__



S107A16F5-T__



S107A09A5-T__



S107A11A5-T__

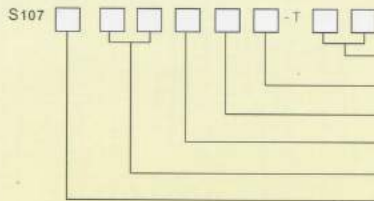
SPECIFICATION

THERMAL PROTECTOR AUTOMATIC RESET(STANDARD APPROVAL : CUL , VDE)

APPLICATION	MOTOR, INDUSTRIAL MOTOR, BALLAST, TRANSFORMER AND COIL ASSEMBLY
ELECTRICAL RATING	115 VAC / 22A , 277 VAC / 8A.
OPERATING TEMP RANGE.	65-160 °C
CIRCUIT RESISTANCE (INITIAL VALUE)	50 mΩ OR LESS.
INSULATION RESISTANCE.	100 MΩ OR MORE (WITH 500 VDC MEGGER)
DIELECTRIC STRENGTH.	1500 VAC / MINUTE OR 1800 VAC / SEC.
SWITCHING DURABILITY	5,000 CYCLES (AT RATED LOAD)

- * ELECTRICAL RATING BY VOLTAGE DC IS ALSO AVAILABLE.
- * RoHS TYPE ARE APPLICATION
- * ALTERNATING TYPE OF ELECTRIC WIRE ARE ALSO AVAILABLE.
- * ALTERNATING CONSTRUCTION IS ALSO AVAILABLE (PLEASE CONTACT US)
- * PLEASE SEE MORE DETAILS AT INDEX PAGE

MODEL CODE



RUNNING NUMBER OF WIRING TYPE

- 01 : UL3271 (CSA CL1251) 18AWG STANDARD COPPER WIRE) OR EQUIVALENT
- xx : ANOTHER TYPES FOLLOW AS CUSTOMER REQUIREMENT

TOLERANCE OPERATING TEMPERATURE

- 5 : ± 5 °C
- 1 : ± 10 °C

CONSTRUCTION TYPE

- A : SAME DIRECTION TERMINAL
- B : OPPOSITE DIRECTION TERMINAL
- C : SAME DIRECTION TERMINAL AND NO SLEEVE
- D : OPPOSITE DIRECTION TERMINAL AND SLEEVE
- F : SAME DIRECTION TERMINAL (AgNi Contact)
- G : OPPOSITE DIRECTION TERMINAL (AgNi Contact)
- H : SAME DIRECTION TERMINAL AND NO SLEEVE (AgNi Contact)
- I : OPPOSITE DIRECTION TERMINAL AND SLEEVE (AgNi Contact)

TYPE OF TEMPERATURE

- 00 : 65±5 off / 43±15 on
- 01 : 70±5 off / 51±15 on
- 02 : 75±5 off / 53±15 on
- 03 : 80±5 off / 55±15 on
- 04 : 85±5 off / 57±15 on
- 05 : 90±5 off / 59±15 on
- 06 : 95±5 off / 62±15 on
- 07 : 100±5 off / 64±15 on
- 08 : 105±5 off / 67±15 on
- 09 : 110±5 off / 70±15 on
- 10 : 115±5 off / 73±15 on
- 11 : 120±5 off / 76±15 on
- 12 : 125±5 off / 79±15 on
- 13 : 130±5 off / 83±15 on
- 14 : 135±5 off / 86±15 on
- 15 : 140±5 off / 90±15 on
- 16 : 145±5 off / 94±15 on
- 17 : 150±5 off / 96±15 on
- 18 : 155±5 off / 101±15 on
- 19 : 160±5 off / 105±15 on

TYPE OF BIMETAL

- A : LOW RESISTANCE
- B : HIGH RESISTANCE

DETAIL TERMINAL OF THERMOSTAT

MODEL S101, S101-2, S101-3, S102, S102-2, S102-3

Part : Terminal

TERMINAL -1 MAT.:BRASS (TIN PLATED)	TYPE	ANGULAR (θ)	TOLERANCE
	R1	0°	0
	T1	90°	±1.5°
	Q1	160°	±2°
	V1	150°	±2°
	W1	135°	±2°

TERMINAL -2 MAT.:BRASS (TIN PLATED)	TYPE	ANGULAR (θ)	TOLERANCE
	R2	0°	0
	T2	90°	±1.5°
	Q2	160°	±2°
	V2	150°	±2°
	W2	135°	±2°

TERMINAL -3 MAT.:BRASS (TIN PLATED)	TYPE	ANGULAR (θ)	TOLERANCE
	R3	0°	0
	T3	90°	±1.5°
	Q3	160°	±2°
	V3	150°	±2°
	W3	135°	±2°

TERMINAL -D MAT.:BRASS (TIN PLATED)	TYPE	ANGULAR (θ)	TOLERANCE
	RD	0°	0
	TD	90°	±1.5°

TERMINAL -G MAT.:BRASS (TIN PLATED)	TYPE	ANGULAR (θ)	TOLERANCE
	RG	0°	0
	TG	90°	±1.5°

TERMINAL -I MAT.:BRASS (TIN PLATED)	TYPE	ANGULAR (θ)	TOLERANCE
	RI	0°	0
	TI	90°	+3 -0

TERMINAL -S1 MAT.:BRASS (TIN PLATED)
TYPE : S1

TERMINAL -E MAT.:BRASS (TIN PLATED)
TYPE : RE

TERMINAL -F MAT.:BRASS (TIN PLATED)
TYPE : RF

DETAIL TERMINAL OF THERMOSTAT

MODEL : S104, S105, S105-2, S105-3

Part : Terminal

TERMINAL -4 MAT: BRASS (Ni PLATED)	TYPE	ANGULAR (θ)	TOLERANCE
	R4	0°	0
	T4	90°	±1.5°
	V4	150°	±2°
	W4	135°	±2°

TERMINAL -B MAT: SPCC-SD (Ni PLATED)	TYPE	ANGULAR (θ)	TOLERANCE
	R4	0°	0
	T4	90°	±1.5°
	V4	150°	±2°
	W4	135°	±2°

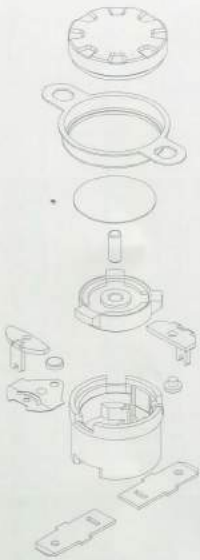
TERMINAL -5 MAT: BRASS (Ni PLATED)	TYPE	ANGULAR (θ)	TOLERANCE
	R5	0°	0
	T5	90°	±1.5°
	V5	150°	±2°
	W5	135°	±2°

TERMINAL -C MAT: SPCC-SD (Ni PLATED)	TYPE	ANGULAR (θ)	TOLERANCE
	R5	0°	0
	T5	90°	±1.5°
	V5	150°	±2°
	W5	135°	±2°

TERMINAL - A MAT: BRASS (Ni PLATED)	TYPE	ANGULAR (θ)	TOLERANCE
	RA	0°	0
	TA	90°	±1.5°

STRUCTURE OF THERMOSTAT

S101



S102



S102-DD



S104



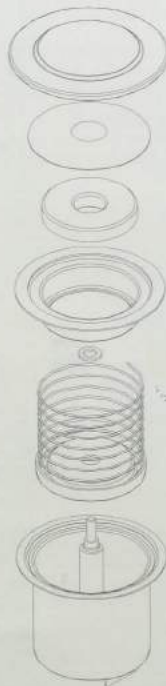
S105



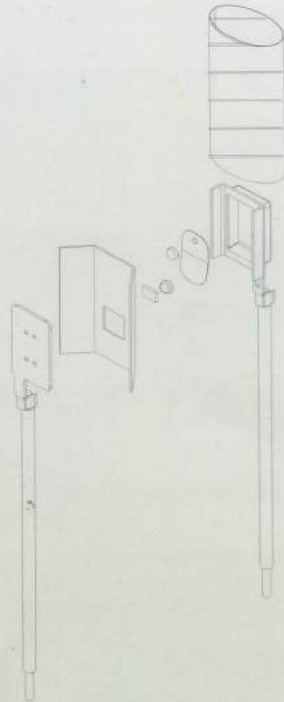
S105 High Response



S103



S107





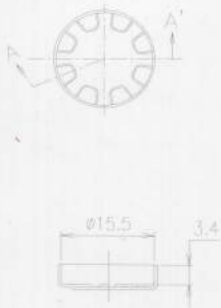
THERMOSTAT

DETAIL CAP OF THERMOSTAT

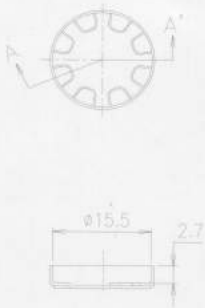
MODEL S101, S101-2, S101-3, S102, S102-2, S102-3
S104, S105, S105-2, S105-3

Part : Cap

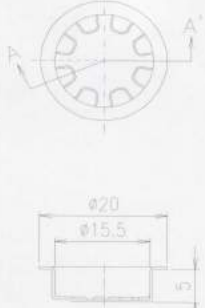
MAT.:ALUMINIUM
CAP -1 : C1



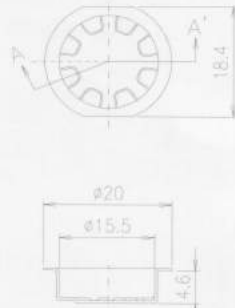
MAT.:STAINLESS STEEL
CAP -2 : C2



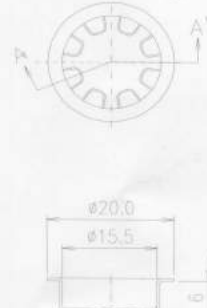
MAT.:ALUMINIUM
CAP -3 : C3



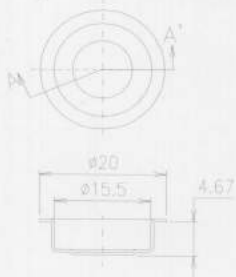
MAT.:ALUMINIUM
CAP -4 : C4



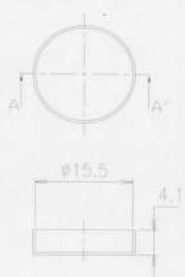
MAT.:ALUMINIUM
CAP -5 : C5



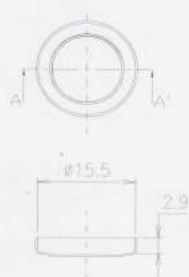
MAT.:STAINLESS STEEL
CAP -6 : C6



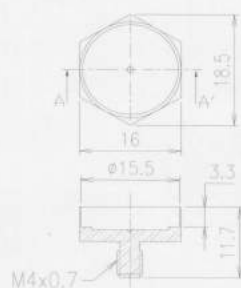
MAT.:ALUMINIUM
CAP -7 : C7



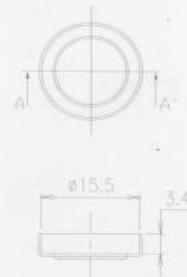
MAT.:STAINLESS STEEL
CAP -8 : C8



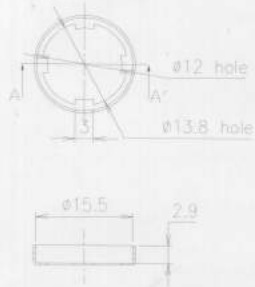
MAT.:BRESS BARS
CAP -A : CA



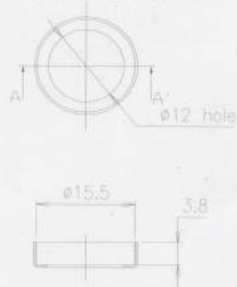
MAT.:ALUMINIUM
CAP -B : CB



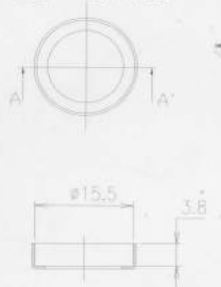
MAT.:STAINLESS STEEL
CAP -E : CE



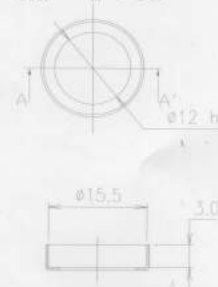
MAT.:ALUMINIUM
CAP -J : CJ



MAT.:ALUMINIUM
CAP -K : CK



MAT.:STAINLESS STEEL
CAP -L : CL





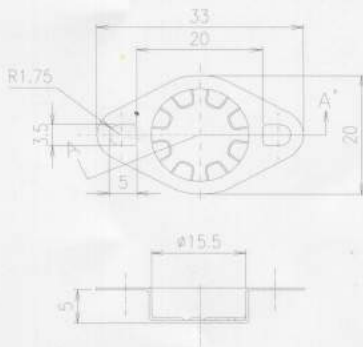
THERMOSTAT

DETAIL CAP OF THERMOSTAT

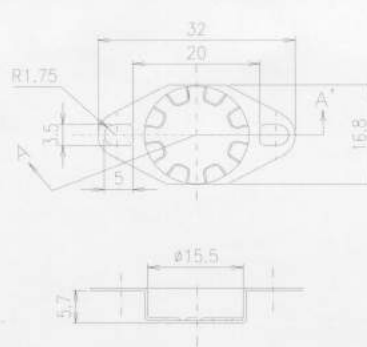
MODEL S101, S101-2, S101-3, S102, S102-2, S102-3
S104, S105, S105-2, S105-3

Part : Cap Holder

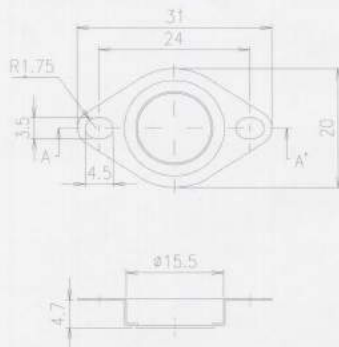
MAT.:ALUMINIUM
CAP HOLDER 1 : CH01



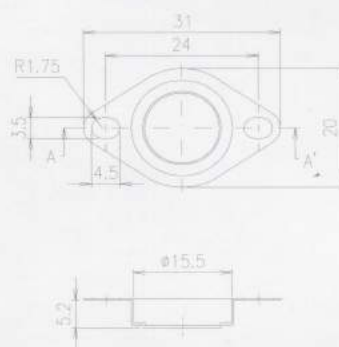
MAT.:ALUMINIUM
CAP HOLDER 2 : CH02



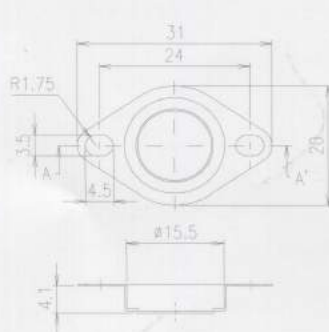
MAT.:STAINLESS STEEL
CAP HOLDER 4 : CH04



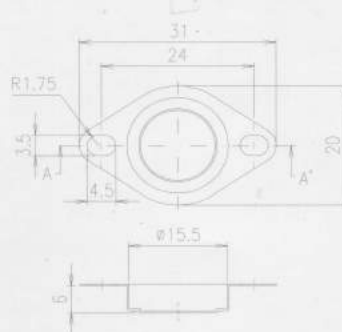
MAT.:STAINLESS STEEL
CAP HOLDER 5 : CH05



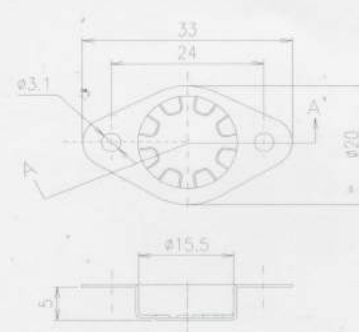
MAT.:STAINLESS STEEL
CAP HOLDER 7 : CH07



MAT.:STAINLESS STEEL
CAP HOLDER 8 : CH08



MAT.:ALUMINIUM
CAP HOLDER 9 : CH09





THERMOSTAT

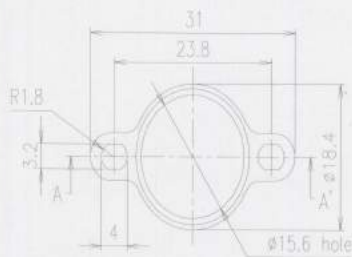
DETAIL CAP OF THERMOSTAT

MODEL S101, S101-2, S101-3, S102, S102-2, S102-3

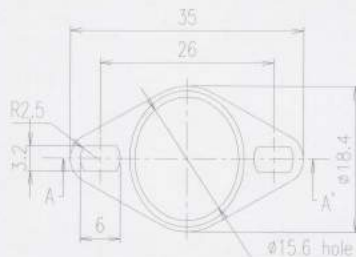
S104, S105, S105-2, S105-3

Part : HOLDER

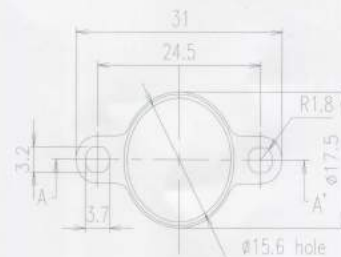
MAT.:STAINLESS STEEL (H1)
& STEEL + Zn PLATING (H3)
HOLDER 1,3 : H1,H3



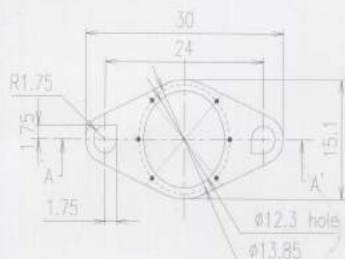
MAT.:STAINLESS STEEL (H2)
& STEEL + Zn PLATING (H4)
HOLDER 2,4 : H2,H4



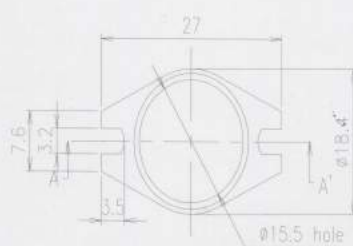
MAT.:STAINLESS STEEL
HOLDER 5 : H5



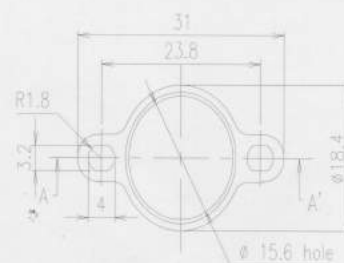
MAT.:STAINLESS STEEL
HOLDER 6 : H6



MAT.:STAINLESS STEEL
HOLDER 7 : H7



MAT.:STAINLESS STEEL
HOLDER 8 : H8





THERMOSTAT



ADVANCE THERMO TECHNOLOGY CO., LTD.
Wellgrow Industrial Estate 78/4 Moo 2, Bangna-Trad Road K.M.36,
Tambol Pimpa, Amphur Bangpakong , Chachoengsao 24180, Thailand.
Tel. 66 38 522422-5 Fax. 66 38 522 401, 66 38 571 132
www.att.co.th , E-mail : marketing@att.co.th

บริษัท แอดวานซ์ เทอร์โม เทคโนโลยี จำกัด
นิคมอุตสาหกรรมเวลล์โกรว์ 78/4 หมู่ 2 ถนนบางนา - ตราด กม.36
ตำบลพิมพา อำเภอบางปะกง จังหวัดฉะเชิงเทรา 24180
โทรศัพท์ 66 38 522422-5 โทรสาร 66 38 522 401, 66 38 571 132

ADVANCE THERMO TECHNOLOGY CO., LTD.